



# DBC 114065 S1(M)

## Rear view camera

Camera with motorized shutter



WEITERE INFOS



### Features:

- 1/3" CMOS 1.23 Megapixel color-camera with motorized shutter against pollution
- With control box (opening and closing of the shutter)
- 6 IR LED residual light amplifiers for better performance in dark areas (max. 3 m)
- Minimum illumination (0 lux)
- Mirror/normal switch
- Electronic brightness adjustment
- Automatic electronic iris
- Wide viewing angle (130°)
- Waterproof microphone
- Vandal- & waterproof (IP69K)
- Incl. 20 m connection cable (394 IP)

Technische Änderungen und Irrtümer vorbehalten.



# DBC 114065 S1(M)

## Rear view camera

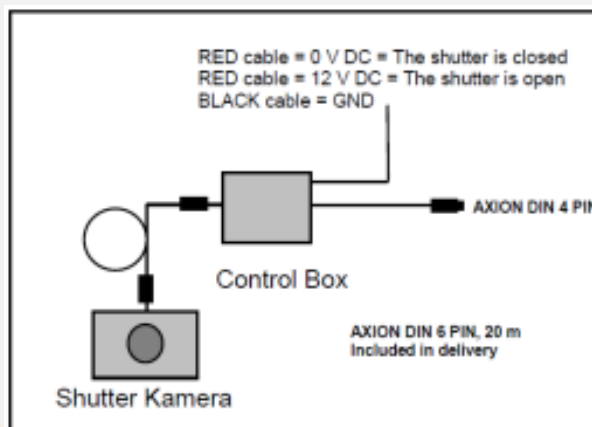
Camera with motorized shutter

### Technical data:

- 1/3" CMOS shutter-camera
- 1,23 Megapixel High Resolution CMOS Sensor
- 6 IR LED residual light amplifiers for better performance in dark areas (max. 3 m)
- Minimum illumination: 0 lux
- Resolution: 470.000 pixels; >700 TV-lines
- Viewing angle: 130°
- Protection class: IP69K
- Power supply: 12 V
- Power consumption: max. 3 W
- Vibration resistant up to 10 G
- Signal/noise ratio: 46 dB
- Operating temperature range: -40 °C to +85 °C
- Dimensions (WxHxD): 110x85x75 mm
- Weight: 390 g
- 20 m connection cable 394 IP (with waterproof WPA plug, AXION DIN 6 PIN)



### Schematic:



EAN 40 41044 220692

Version: 1080420

Technische Änderungen und Irrtümer vorbehalten.